

NEW

N3 TECO AC Drive

- Sensorless Vector AC Drive
- PID Control with Sleep Mode
- Simple Full Featured Operator with Speed Potentiometer
- PC Programming Software
- RS485 Interface Option
- EEPROM Program Copy Unit
- .5 to 3HP, 230V, 50/60Hz, 1-Phase
- .5 to 25HP, 230V, 50/60Hz, 3-Phase
- 1 to 30HP, 460V, 50/60Hz, 3-Phase
- UL, cUL, and CE Approved



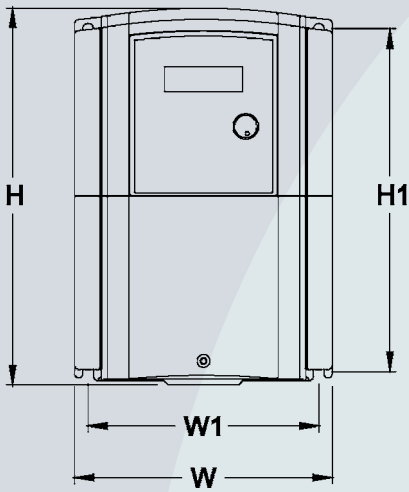
TECO  **Westinghouse**



DIMENSIONS AND WEIGHTS

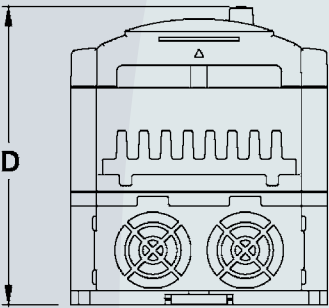
230V 1-Phase Input / 3-Phase Output

MODEL NO.	HP CT	DRIVE AMPS CT	DIMENSIONS (Inches)			APPROX. WT. (lbs.)
			HEIGHT	WIDTH	DEPTH	
N3-2P5-CS	.5	3.1	6.42	3.54	5.79	3
N3-201-CS	1	4.5	6.42	3.54	5.79	3
N3-202-CS	2	7.5	7.36	5.04	5.83	4
N3-203-CS	3	10.5	7.36	5.04	5.83	5



230V 3-Phase Input / 3-Phase Output

MODEL NO.	HP CT	DRIVE AMPS CT	DIMENSIONS (Inches)			APPROX. WT. (lbs.)
			HEIGHT	WIDTH	DEPTH	
N3-2P5-C	.5	3.1	6.42	3.54	5.79	3
N3-201-C	1	4.5	6.42	3.54	5.79	3
N3-202-C	2	7.5	6.42	3.54	5.79	3
N3-203-C	3	10.5	7.36	5.04	5.83	4
N3-205-C	5	17.5	7.36	5.04	5.83	5
N3-207-C	7.5	26.0	10.24	7.32	7.68	13
N3-210-C	10	35.0	10.24	7.32	7.68	13
N3-215-N1	15	48.0	14.17	10.43	9.70	27
N3-220-N1	20	64.0	14.17	10.43	9.70	27
N3-225-N1	25	80.0	14.17	10.43	9.70	29



460V 3-Phase Input / 3-Phase Output

MODEL NO.	HP CT	DRIVE AMPS CT	DIMENSIONS (Inches)			APPROX. WT. (lbs.)
			HEIGHT	WIDTH	DEPTH	
N3-401-C	1	2.3	6.42	3.54	5.79	3
N3-402-C	2	3.8	6.42	3.54	5.79	3
N3-403-C	3	5.2	7.36	5.04	5.83	4
N3-405-C	5	8.8	7.36	5.04	5.83	4
N3-407-C	7.5	13.0	10.24	7.32	7.68	13
N3-410-C	10	17.5	10.24	7.32	7.68	13
N3-415-C	15	25.0	10.24	7.32	7.68	13
N3-420-N1	20	32.0	14.17	10.43	9.70	27
N3-425-N1	25	40.0	14.17	10.43	9.70	29
N3-430-N1	30	48.0	14.17	10.43	9.70	29

NOTE: Suffix **CS** = Chassis Unit 1-Phase
C = Chassis Unit 3-Phase
N1 = NEMA 1

SPECIFICATIONS

Control Mode	Sensorless Vector and V/Hz
Input Voltage Rating	230V 1-Phase and 3-Phase; 460V 3-Phase
Input Voltage Tolerance	+10%, -15Hz
Frequency Control Range	0 to 400Hz
Speed Control Accuracy	+/- 0.5% (Sensorless Vector Mode)
Speed Commands	0 to 10VDC, 0 to 20mA, Pulse Input
Overload Capacity	150% Current of Drive Rating for 1 Minute
Braking	DC Injection Braking; Dynamic Braking (optional)
Protective Functions	Motor and Inverter Overload, Overvoltage, Overheating, Peak Overcurrent
Programmable I/O	6 Digital Input (NPN or PNP), 2 Relay Outputs
Ambient Temperature	-10°C to +50°C, (14°F to 122°F)
Enclosure	IP20 Protective Chassis/NEMA 1

TECO   **Westinghouse**

5100 N. IH-35
 Round Rock, Texas 78681
 1-800-279-4007

www.tecowestinghouse.com